



lets GO GREEN
to get our globe CLEAN

- ▶ PREFAB HOME & OFFICE
- ▶ PVC DOOR & FURNITURE
- ▶ uPVC PROFILES
- ▶ uPVC DOOR & WINDOW
- ▶ CUBICAL PARTITION SYSTEM

COMPANY PROFILE



ePlast Industries LLP was founded in the year 2011 by Mr. Mohan Varsani and the company is now a key player in the fabrication industry, supplying a wide range of PVC products, PVC profiles.

At present the company has pan India presence with unit located at Ahmedabad which manufactures Prefab House (Insulated Sandwich PUF Panel), Bunk House, Portable Cabin, Security Cabin, School Rooms, Insulated PUF Roofing Panel, Prefab House, PVC Doors, uPVC Door & Window Systems.

Our strategy is to create world class products, so that we can satiate the demands of our consumers and thus, surpass our contemporaries in competition. It is with our integrated efforts and customer service that we have managed to keep our growth rate on an upward swing; in

spite of the present economic turmoil, which has adversely affected people's lives and ways in which business is being conducted.

ePlast Industries LLP is passionate about the role of prefabrication in transforming our built environment, such as decreasing construction time frames and construction waste while increasing quality, productivity and affordability.

At ePlast Industries LLP, we look forward to customer satisfaction. Our main objective is to ameliorate our customers and stakeholders, and in the process strengthen the roots of our organization, so that we can emerge as a behemoth in the fabrication industry.



OUR MISSION

Our mission is to create cleaner safer world by using environment friendly products



OUR VALUES

we believe in the core values of people, operational excellence, innovation and integrity. These values are like assets that consolidate us in our march towards a greater future.



OUR VISION

To create a world class fabrication manufacturing industry that pursues Quality, Cost Reduction and productivity improvement technics leading to customers satisfaction and carry out environment friendly products which will help make our earth a cleaner, safer place for generations to come.

OUR CERTIFICATION



WE ARE
ISO 9001:2015, 14001:2015, 45001:2018, 50001:2018
GREENGUARD COMPLIANCE, BIFMA LEVEL 1 2 & 3
CERTIFIED COMPANY
WE WORKS IN A SYSTEMATIC WAY



WHY? WE



- ✓ High Quality Products
- ✓ State of the art Technology
- ✓ Timely Delivery & Commitment
- ✓ Manufacturing Facility
- ✓ Value for money
- ✓ Practical & Cost Effective service to clients
- ✓ Talented professional services department
- ✓ Customer Support

OUR PRODUCTS

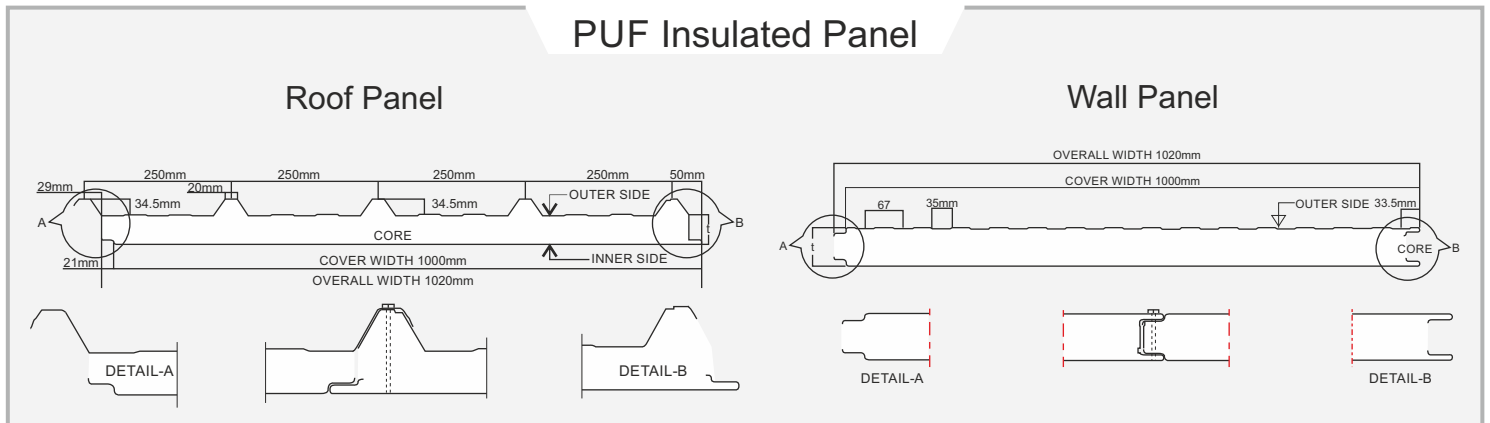


PREFAB APPLICATIONS



We offer wide range of PVC Products & Prefab House

At present the company has pan India presence with unit located at Ahmedabad which manufactures Prefab House (Insulated Sandwich PUF Panel), Bunk house, Portable Cabin, Security Cabin, School Rooms, Insulated PUF Roofing Panel, Prefab House, PVC Doors, uPVC DOOR & WINDOW systems.



Energy Saving



Water Proof



Fire Retardant



Protect from Heat



Eco-Friendly



No Maintenance



Rust/Rodent Proof



Save Construction Time



Plug & Play System



Non Fatal and Safe



Noise Reduction



Available in Any Size & Design

PREFAB PRODUCTS



- ✓ BUNK HOUSE
- ✓ SECURITY CABIN
- ✓ SECURITY PORTA CABIN
- ✓ CONTAINER OFFICE
- ✓ WAREHOUSE (GODOWN)
- ✓ LABOUR ROOM / COLONY
- ✓ INDUSTRIAL PANEL ROOM

- ✓ OFFICES
- ✓ SCHOOL ROOMS
- ✓ PENT HOUSE
- ✓ SITE OFFICE
- ✓ PARTITION SYSTEM
- ✓ TOILET BLOCK



PREFAB BUILDINGS & PRE-FABRICATED ROOFS



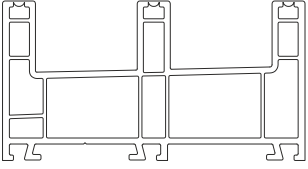
BUNK HOUSE & SCHOOL ROOMS



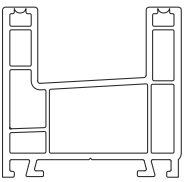
OUR PRODUCTS

uPVC PROFILES

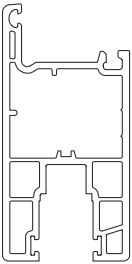
Premium 60mm Series Sliding Windows Profiles



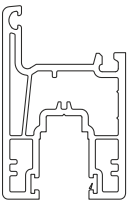
Product Name Three Track Frame
Product Code KS-01
Dimension 110 mm x 58 mm
Weight 1.864 kg/m



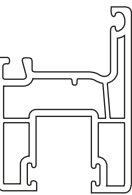
Product Name Two Track Frame
Product Code KS-03
Dimension 60 mm x 58 mm
Weight 1.242 kg/m



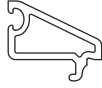
Product Name Sliding Door Sash
Product Code KS-04
Dimension 85 mm x 42 mm
Weight 1.139 kg/m



Product Name Big Sliding Window Sash
Product Code KS-05
Dimension 67 mm x 42 mm
Weight 0.932 kg/m



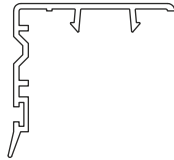
Product Name Small Sliding Window Sash
Product Code KS-07
Dimension 57 mm x 42 mm
Weight 0.815 kg/m



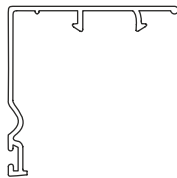
Product Name Single Glazing Bead
Product Code KS-14
Dimension 16 mm x 24 mm
Weight 0.215 kg/m



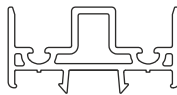
Product Name Double Glazing Bead
Product Code KS-25
Dimension 16 mm x 09 mm
Weight 0.142 kg/m



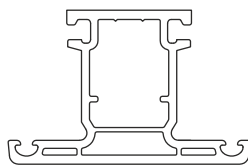
Product Name Interlock for Window Sash
Product Code KS-12
Dimension 40 mm x 42 mm
Weight 0.240 kg/m



Product Name Interlock for Door Sash
Product Code KS-26
Dimension 45 mm x 45 mm
Weight 0.250 kg/m

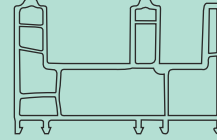


Product Name Inline Adaptor
Product Code KS-10
Dimension 47 mm x 22 mm
Weight 0.414 kg/m

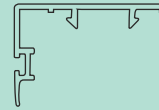


Product Name Sash Mullion
Product Code KS-08
Dimension 66 mm x 42 mm
Weight 0.811 kg/m

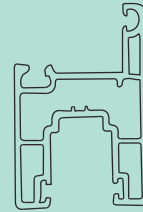
2.5 Track 80mm Series Windows Profiles



Product Name 2.5 Track Frame
Product Code KS-02
Dimension 80 mm x 52 mm
Weight 1.208 kg/m



Product Name Interlock for 80 sash
Product Code KS-13
Dimension 40 mm x 27 mm
Weight 0.164 kg/m



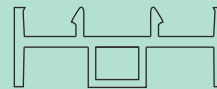
Product Name 80 Sliding Sash
Product Code KS-06
Dimension 55 mm x 36 mm
Weight 0.725 kg/m



Product Name 80 small Insect Screen Sash
Product Code KS-09
Dimension 51 mm x 21 mm
Weight 0.448 kg/m



Product Name 80 single Glazing Bead
Product Code KS-15
Dimension 19 mm x 16 mm
Weight 0.181 kg/m

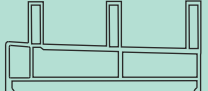


Product Name Inline Adaptor
Product Code KS-11
Dimension 40 mm x 18 mm
Weight 0.250 kg/m


uPVC PROFILES




Prestige Sliding Series Windows Profiles



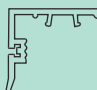
Product Name Three Track Frame
Product Code KS-27
Dimension 97 mm x 45 mm
Weight 1.131 kg/m




Product Name Two Track Frame
Product Code KS-28
Dimension 60 mm x 45 mm
Weight 0.800 kg/m



Product Name Sliding Sash
Product Code KS-29
Dimension 57 mm x 31 mm
Weight 0.688 kg/m

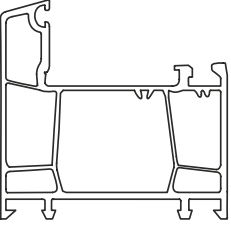


Product Name Interlock
Product Code KS-31
Dimension 35 mm x 31 mm
Weight 0.220 kg/m

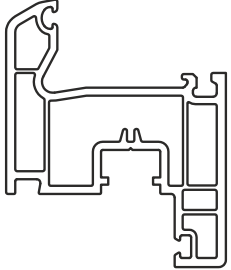


Product Name Single Glazing Bead
Product Code KS-30
Dimension 17 mm x 11 mm
Weight 0.154 kg/m

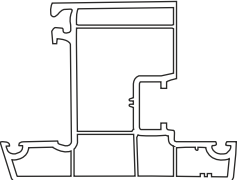
Premium Casement (Openable) Windows Profiles



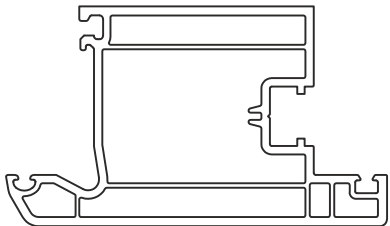
Product Name Outer Frame
Product Code KC-19
Dimension 60 mm x 58 mm
Weight 1.070 kg/m



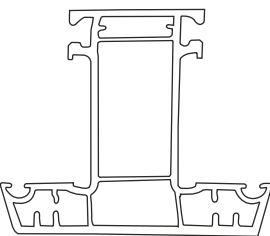
Product Name Inward Sash
Product Code KC-20
Dimension 60 mm x 53 mm
Weight 1.251 kg/m



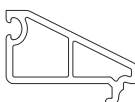
Product Name Outward Window Sash
Product Code KC-17
Dimension 60 mm x 78 mm
Weight 1.251 kg/m




Product Name Outward Door Sash
Product Code KC-16
Dimension 60 mm x 104 mm
Weight 1.484 kg/m




Product Name T Mullion
Product Code KC-18
Dimension 60 mm x 72 mm
Weight 0.966 kg/m



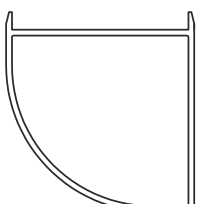
Product Name Single Glazing Bead
Product Code KC-22
Dimension 36 mm x 18 mm
Weight 0.258 kg/m



Product Name Double Glazing Bead
Product Code KC-15
Dimension 19 mm x 16 mm
Weight 0.181 kg/m



Product Name Frame Connector
Product Code KA-23
Dimension 13 mm x 18 mm
Weight 0.094 kg/m



Product Name 60 Series 90° Corner
Product Code KA-21
Dimension 60 mm x 64 mm
Weight 0.638 kg/m

OUR PRODUCTS

uPVC WINDOW & DOOR SYSTEM

ANTI-AGING uPVC Windows for your Next Generation

Imported denaturalizing agent is applied and the agent for preventing UV rays absorption is added in the KAKA uPVC Windows & Doors. The product doesn't discolor and becomes aging or brittle even when it is exposed to direct sunlight, rainstorms, drying or humidity between-30°C and 70°C.



KAKA 
uPVC Window Systems
"Smart People, Smart Choice"



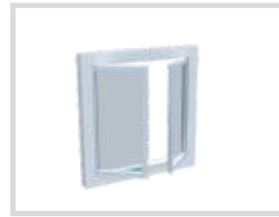
uPVC PRODUCTS



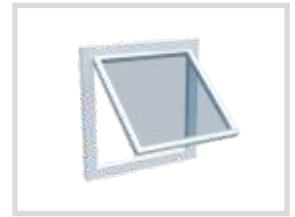
Fixed Glazing



Sliding Window



Casement Window



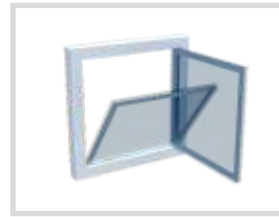
Top Hung Window



2.5 Track Sliding Windows



3 Track Sliding Windows



Tilt & Turn Windows



Ventilation Windows



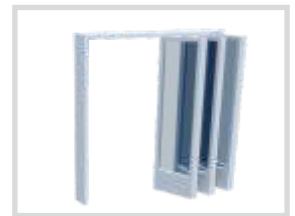
Casement Doors



Sliding Doors



Bifold Doors



Fold & Slide Doors

KEY FEATURES

DUST PROOFING & AIR TIGHTNESS
EASY MAINTENANCE
WATERPROOF FUNCTION
ENVIRONMENT PROTECTION

FIRE RETARDANT
IMPACT RESISTANCE
HEAT PRESERVATION
SOUND INSULATION

uPVC WINDOWS ADVANTAGES

- ✓ EXCELLENT INSULATION TO REDUCE NOISE AND DUST INGRESS
- ✓ RESISTANT TO STRONG WINDS
- ✓ GREEN WINDOWS. REDUCE AIR CONDITIONING COSTS
- ✓ LONG LIFE. NEGLIGIBLE MAINTENANCE
- ✓ EFFICIENT THERMAL INSULATION
- ✓ MONSOON PROOF
- ✓ UV RESISTANT
- ✓ CORROSION-PROOF
- ✓ ENERGY EFFICIENT
- ✓ ENVIRONMENT FRIENDLY

OUR PRODUCTS

BEST KITCHEN SOLUTION FOR YOUR HOME

Unbreakable: A furniture made from PVC seldom breaks. PVC furniture are as strong as furniture from any other material. || Weather Friendly: It never cracks when exposed to environmental changes like sunlight and cold. || Termites Proof : Do not get effected from termites unlike wood furniture. || No Rusting: Do not rust unlike iron furniture when exposed to air and moisture. || Least Maintenance : Requires less maintenance compared to wood and metal furniture. There is no need to varnish them or apply a coat of paint every once in a while to protect them. || Economical : Less costly and thus is more economical than any other kind of furniture which includes wood, metal and glass. || Light weight : One of the most desirable characteristic feature of PVC furniture is its light weight which enables it to be shifted around easily without much fuss. || Recyclable: Can be easily recycled and moulded into different shapes without causing any environmental hazard. || Do not support de-forestation: We do not cut trees to make plastic furniture and thus we could say it is environmental friendly. || Versatility : Moulded in beautiful and user-friendly shapes Available in a number of attractive colors and styles, which makes it all the more versatile.

MODULAR KITCHEN

DESIGNER KITCHEN

PROFILE KITCHEN

CROCKERY UNITS

DIGITAL KITCHEN

SERVICE PLATFORM



PVC WASHBASIN UNIT

CROCKERY BOX & SERVICE PLATFORM

PVC FURNITURE

KEKAKA[®]
EXCELLENT
"Smart People, Smart Choice"



SLIDER WARDROBE



OPENABLE WARDROBE



EXCLUSIVE PVC BED SET



DRESSING TABLE



LCD TV UNIT



FALSE CEILING & WALL PANELLING



PVC LOFT

OUR PRODUCTS

PVC DOORS & FURNITURE



- ✓ PVC Door & Frame
- ✓ uPVC Fencing & Tree Guard
- ✓ PVC Shoe Rack
- ✓ PVC Metre Box
- ✓ PVC Modular Kitchen
- ✓ PVC Washbasin Unit
- ✓ PVC Crockery Box & Service Platform
- ✓ PVC Wardrobe
- ✓ PVC Bed Set & Dressing Table
- ✓ PVC LCD & TV Unit
- ✓ PVC False Ceiling & Loft
- ✓ PVC Partition & Many More...

SOME OF POPULAR **KAKA PVC** DOOR RANGE...



PLAIN DOOR MOULDING DOOR DIGITAL DOOR CNC DOOR

WHY SHOULD WE USE KAKA PVC DOORS?

- ✓ Termite Proof
- ✓ Tough and Durable
- ✓ Anti Corrosive
- ✓ Light Weight
- ✓ Maintenance Free
- ✓ Have a Pleasing Appearance
- ✓ Chemical and Moisture Resistant
- ✓ Available in Wide Range of Colors
- ✓ Save Tree as well Environment
- ✓ Superb Quality at Affordable Costs



uPVC FENCING & TREE GUARD



CUBICAL PARTITION SYSTEM FOR OFFICES & TOILETS

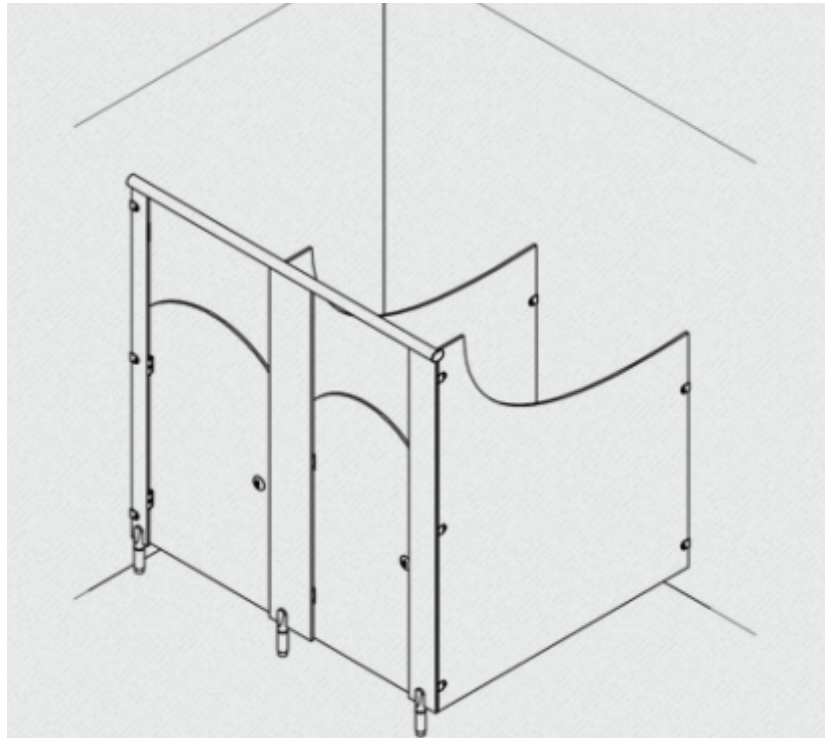


PRODUCT OVERVIEW

Give an elegant makeover to your restrooms and offices with an exclusive range of Cubicle Partition System from E-Plast Industries LLP. We are the leading manufacturers of Cubicle Partition Toilet and Office Partition in Gujarat, we offer types of divider panels Foamsheet and WPC Sheets, doors and connecting panels in Nylon or SS Material, for unique appeal of restrooms and office working space we offer colors and designs as per client's requirement.

KEY FEATURES

- ✓ Water Resistant
- ✓ Impact Resistant
- ✓ Range of Colors
- ✓ Stability
- ✓ Design Flexibility



FLAWLESS QUALITY

We are AN ISO 9001:2015, 14001:2015, 18001:2017 certified company hence we never compromise with quality. The Cubicle Partition System are available in various sizes, shapes and colour hues. They are built with solid pvc foamsheet or wooden pvc sheets, with nyloan and stainless steel hardware fitting.



CUBICAL PARTITION SYSTEM FOR OFFICES & TOILETS



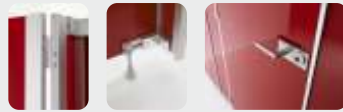
MADE FOR

- ✓ Commercial Buildings
- ✓ Educational Premises
- ✓ Transportation Hubs
- ✓ Shopping Malls
- ✓ Public Places
- ✓ Offices
- ✓ Gyms
- ✓ Pools
- ✓ Theatres
- ✓ Factories etc.

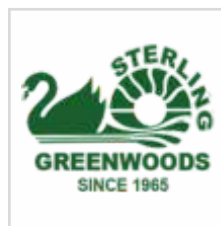
NYLON SYSTEM HARDWARE FITTINGS



SS HARDWARE FITTINGS



SOME OF OUR CLIENTS



DID YOU KNOW?

Trees properly placed around buildings can reduced air-conditioning needs by at least 30%

The best time to plant a tree was 20 years ago.
The second best time is now.



ADD CONTACT

WE BELONGS TO KAKA GROUP OF COMPANY



Zector inc. 9998848775



E-Plast Industries LLP

F/12, Vikram Plaza, Nr. Gota Railway Crossing (Bridge), Opp. Vishwakarma Temple,
Gota-Chandlodiya Road, Ahmedabad - 382481, GUJARAT, INDIA.

Mob.: +91 99747 00353, 99747 00355 **Email:** info@eplast.in **URL:** www.eplast.in



GO TO WEBSITE

